

TECHNICAL SAFETY DATA SHEET (V7) Semi-Automatic Model

10/01/23

Product Description

SPECIFICATIONS

4-season safety cover that complies with the **AFNOR regulation NF P90-308 December 2013**



- **Manoeuvre** : · Portable control box equipped with 2 batteries 12V 5,5 Ah
· Independent charger to plug into an electrical outlet 220 V
· Ratchet spanner only in case of an electrical failure



- **Membrane** : PVC pre-stressed membrane
- **Belt** : Polyurethane with stainless steel cables



- **Méchanical** : All the metallic parts involved in the security are in anodized aluminium and 316 stainless steel

- **Rails** : Anodized aluminium

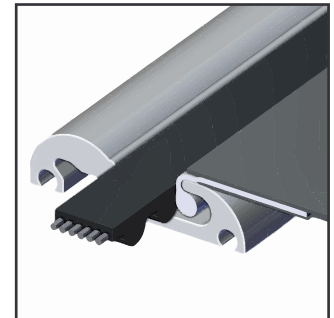
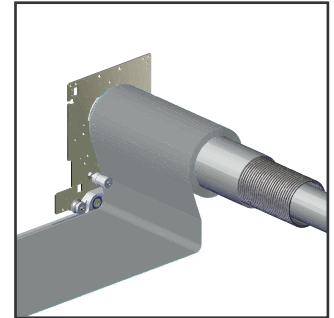
- **Casing** : Polyester powder-coated aluminium, matt finished of **Ral colour 7037** (standard)



- **Length** : min 2 meters -> max 24 meters



- **Width** : min 2 meters -> max 8,5 meters (depending on the length of the cover)¹
- **Speed** : Closing/opening time : 60 seconds for a length of 13 meters



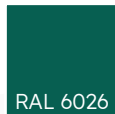
AVAILABLE COLOURS OF THE MEMBRANE



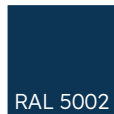
Light Grey



Dust Grey



Opal Green



Cobalt Blue



Sky Blue



Light Ivory



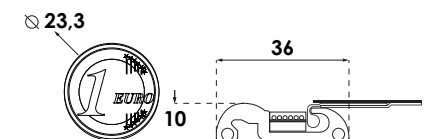
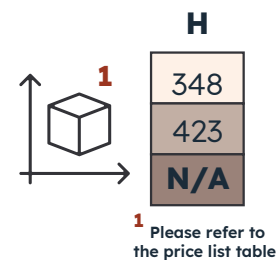
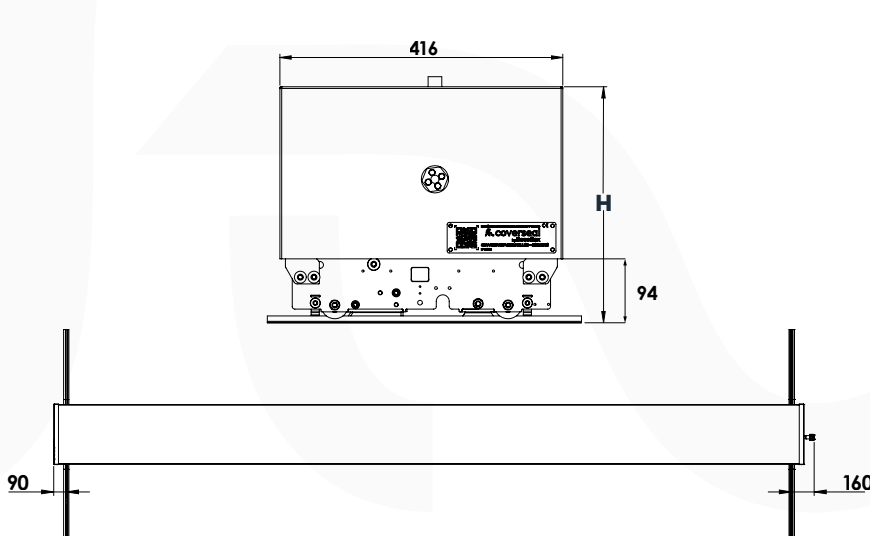
Pure Black



AVAILABLE OPTIONS

- All-terrain rail (RTT) 72,0 mm x 10,6 mm (unregular surface or low density)
- The casing is available in all RAL K7 Classic paints except for fluo and metallic paints.
- Mechanical closing sensor

MEASURES (in mm)



afnor



Technical Data Sheet: Semi-Automatic Model
Cover 102 in compliance with the Afnor NF P90-308 standard of December 2013 - LNE certified

coverseal